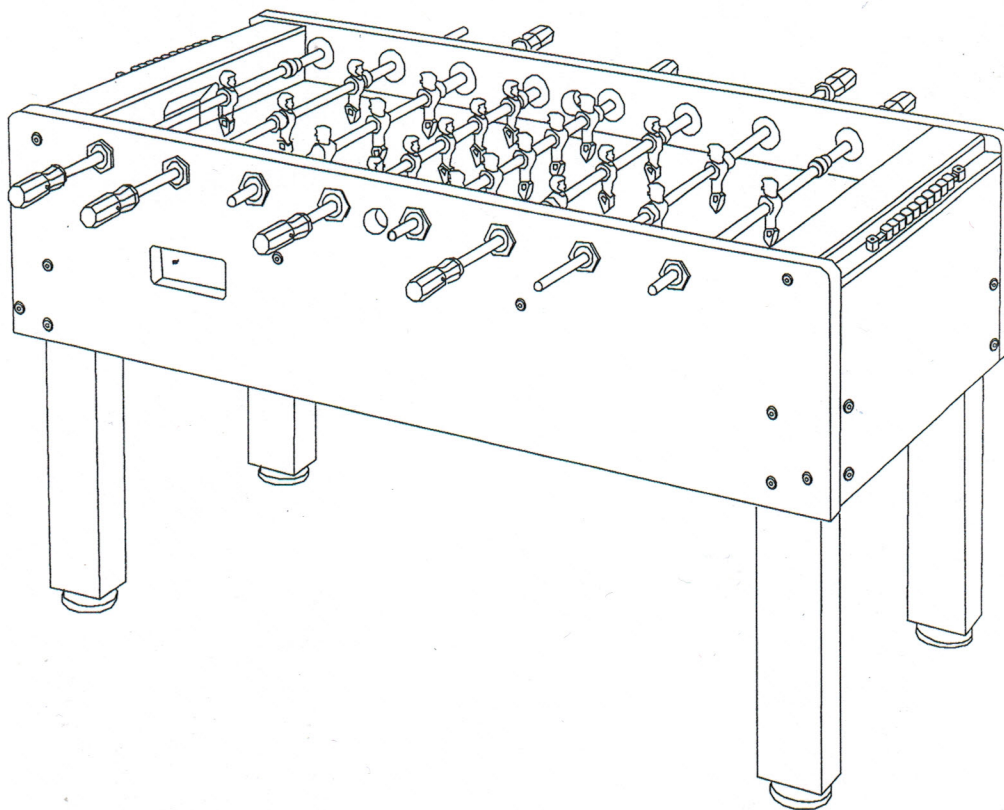


SOCCER TABLE



• Assembly/Instructions/Rules •

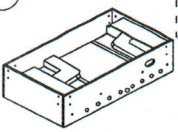
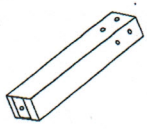
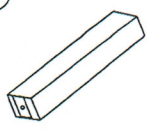
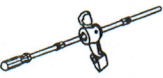
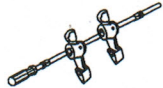
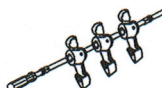
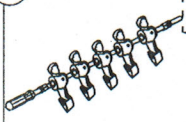
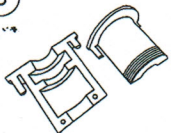
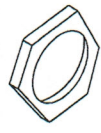

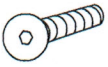
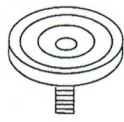
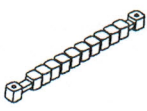
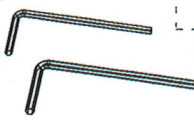
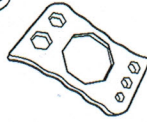
Congratulations! We hope you will enjoy many hours of play on your new Foosball Table!

Please Carefully read all safety instructions and directions before proceeding.

- 1) Your table is designed for use indoors in a climate controlled environment only. Damage can occur if the table is exposed to water, dampness, high humidity, freezing temperatures, etc.
- 2) The foosball table is heavy. Two or more people are required for assembly.
- 3) Only use the table for its intended purpose.
- 4) Damaged or worn parts may be dangerous for users and the integrity of the table. Replace worn or damaged components immediately and do not use the table until any issues have been resolved. For best results, use only spare parts available through supplier.
- 5) Unauthorized repairs or altering the table's design or functions may be dangerous and will void the warranty.
- 6) Check all screws, bolts, etc. on a regular basis to ensure that they are in good working condition and have not loosened over time.
- 7) Please keep the balls, lubricant and other parts out of reach of children and pets.
- 8) This is not a toy. Adult supervision is recommended when being used by children.
- 9) Please use care when pushing or pulling the rods so people or objects nearby do not get injured or damaged.

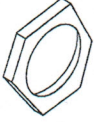
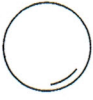


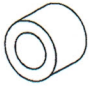

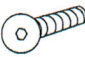
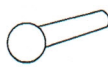
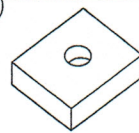
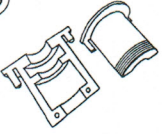
PARTS LIST

(Add a Check (✓) to the box to indicate receipt of each part.)

1		TABLE BODY 1438*756*400 mm 1 PC	2		LEGS-LEFT 660*100*80mm 2 PCS	3		LEGS-RIGHT 660*100*80mm 2 PCS
4		GOALIE ROD 1086mm 2 PCS	5		2 PLAYERS ROD 1254mm 2 PCS	6		3 PLAYERS ROD 1124mm 2 PCS
7		5 PLAYERS ROD 1010mm 2 PCS	8		BEARINGS Ø57*48.5mm 16 PCS	9		ASSEMBLED TO 8 57*6mm 16 PCS
10		SCREWS F4*1-3/4mm 4 PCS	11		BOLTS 10*65mm 16 PCS	12		LEG LEVELERS Ø90*50mm 4 PCS
13		SCORER 300*25*21mm 2 PCS	14		TOOLS 5 & 6 mm 1 SET	15		PLASTIC WRENCH 1 PC

NOTE: There are 8 sets of Bearings (#8 & #9) have already been attached on the Table Body(#1).

ADDITIONAL AND PRE-INSTALLED PARTS. (FOR REFERENCE ONLY.)

16		ASSEMBLED TO 23 57*6mm 2 PCS	17		SOCCER BALLS Ø36mm 8 PCS	18		LUBRICANT 50ml 1 PC
19		ROLL PIN 4.2*35mm-6pcs 4.2*28mm-2pcs	20		BUMPERS Ø16mm 2PCS	21		PLAYER 115*35mm 2 PCS
22		BOLTS 10*65mm 2 PCS	23		ROLL PIN PUNCH 4*50mm 1 PC	24		MATERIAL SAMPLE 5*5*3.8cm 1 PC
25		BEARINGS Ø57*48.5mm 2 PCS						

ASSEMBLY INSTRUCTIONS

We recommend that four adults work together to assemble this table.

- Start assembly with the table face down. We recommend placing the table on the soft packaging to protect the table surfaces. After assembling the legs, the table will be flipped over to complete the assembly. Do not use the legs for leverage when rotating the table from the face down to the face up position.

FIG. 1

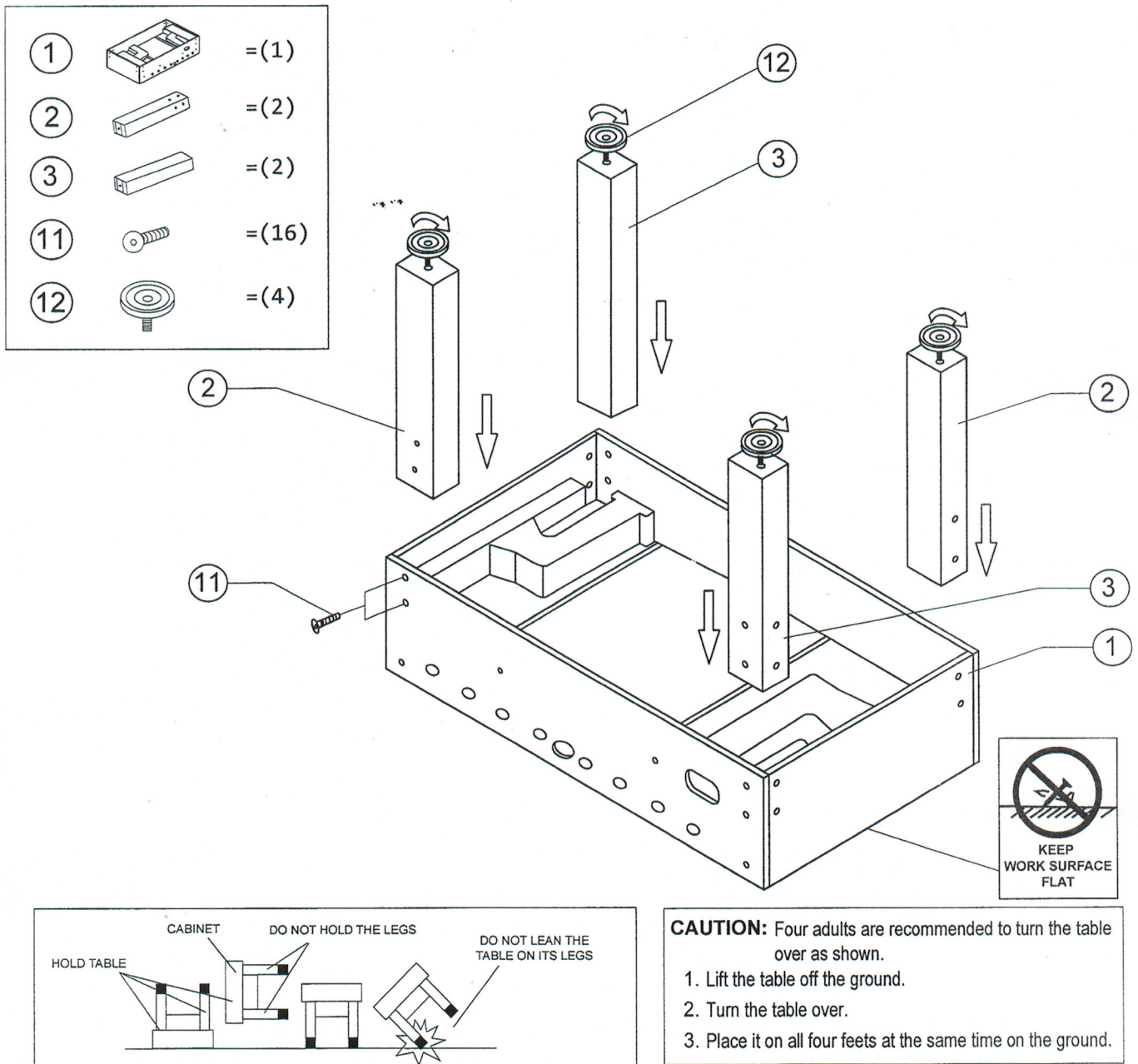


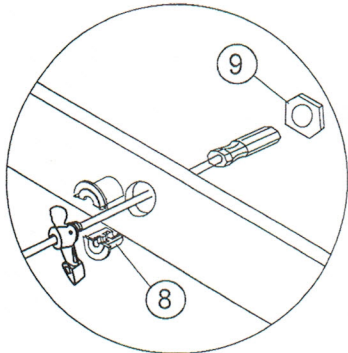
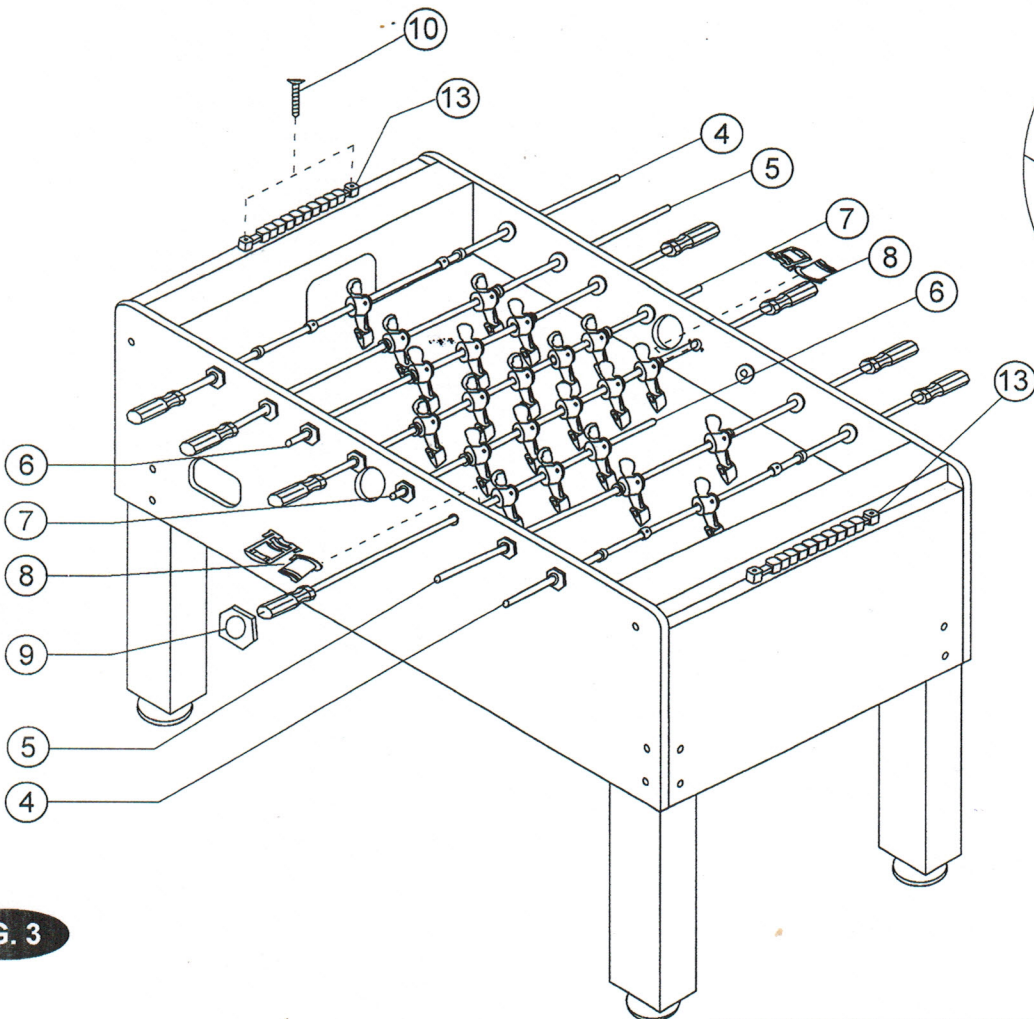
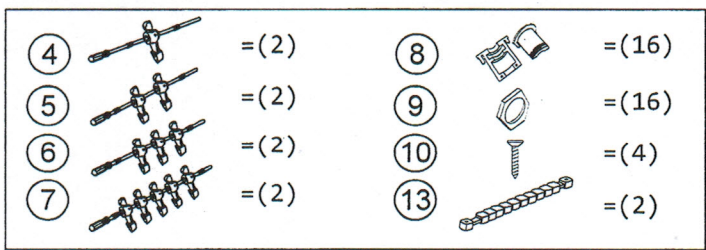
FIG. 1: LEG ASSEMBLY

- Attach the Legs (#2 & #3) between the Side and End Aprons with four Bolts (#11) per Leg as shown in Fig.1. Use the Allen Key (#14) provided.

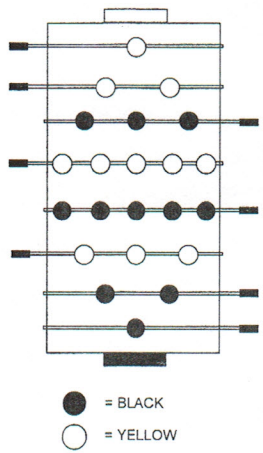
NOTE: Please lightly tighten each of the four leg bolts equally before finally tightening each bolt securely.

- Insert the Leg Levelers (#12) into the bottom of the Legs (#2 & #3) . See Fig.1.
- Once legs are securely fastened with the leg levelers installed, use four adults to rotate the table into an upright position.

FIG. 2



ORDER OF PLAYERS



IMPORTANT!
EACH TEAM SHOULD BE HEAD UP AND FACING THEIR OWN GOAL

FIG. 3

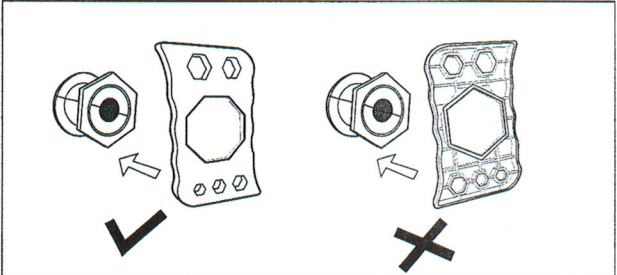
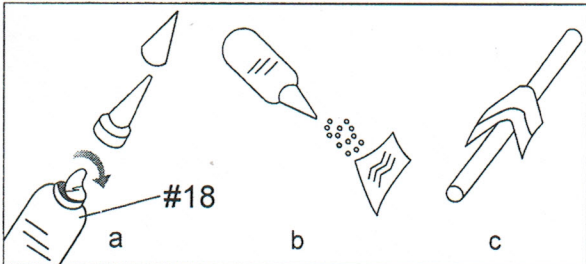


FIG. 2: PLAYER / BEARING / SCORER ASSEMBLY

- Carefully slide the grip end of player rod #6 through the inside of the side apron in the position shown in figure 2 until the players reach the apron wall. Then slide the other end of the rod through the opening in the opposing apron wall.
- Slide the Player Rods(#4-#7) through the Side Apron in the order shown. See Fig 2.
- Attach all of the bearings(#8) to the side aprons as shown in figure 2.
- Attach the Scorer Assemblies(#13) in the middle of each Top Slat Board using two Screws(#10) per Scorer. See Fig 2.
- Remove the Aluminium foil from top of the bottle, then cut a hole in the end. Spray the lubricant into a clean, soft cloth and then use the cloth to wipe the player rods where they come into contact with the bearings. See Fig 3.

TABLE MAINTENANCE	
TABLE SURFACE	Keep your table covered. If there is dust on the playfield or the aprons, use a vacuum or wipe with a clean, soft cloth to remove. Do not sit on the table and do not use the table outside.
RODS	Occasionally wipe the rods with a clean, soft cloth. Never lift the table by the rods. Do not spin or press the rods too aggressively, as this may cause damage. We recommend the use of lubricant to wipe the Player Rods and Bearings from the outside of the game so as not to drip onto the playfield.
LEGS	Check that the leg bolts are tight. When moving the table, lift table off of its legs and place it down squarely on the legs, do not drag the table.
BOLTS	Please make sure that all the bolts are tightened before using.
METHOD	The table can't be hit by external force or used rough.

FIG.4

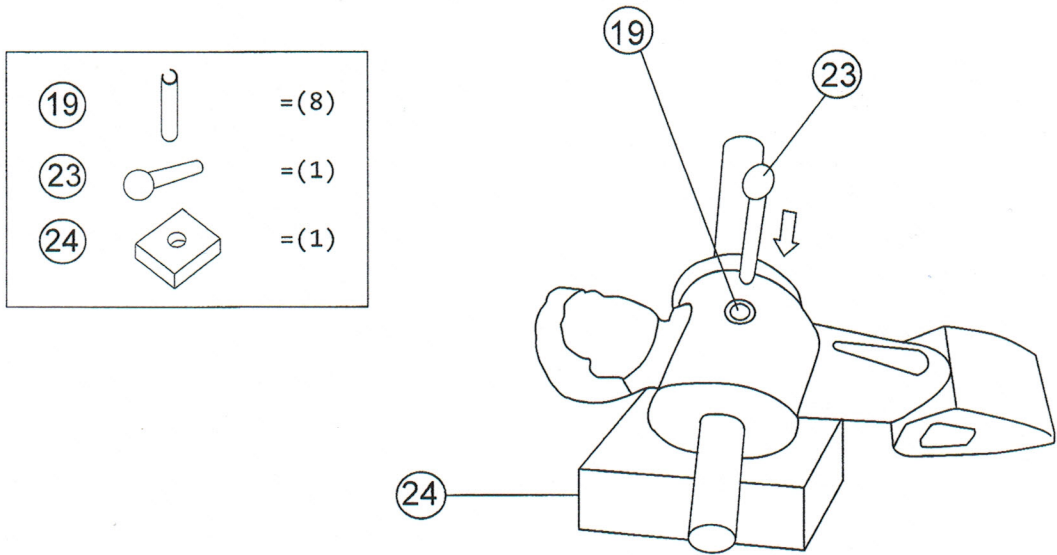


FIG. 4: PLAYER MAINTENANCE

- To remove a player, first remove the rod from the table. After the rod is out of the table, use the pin punch (#23) to remove the pin from the player. Remove the player and then install the replacement player and reinsert the pin (#19) using the punch (#23).